



**File Name:** Burgess propane fogger manual.pdf

**Size:** 2346 KB

**Type:** PDF, ePub, eBook

**Category:** Book

**Uploaded:** 8 May 2019, 12:23 PM

**Rating:** 4.6/5 from 658 votes.

**Download Now!**

Please check the box below to proceed.



I'm not a robot



reCAPTCHA  
Privacy - Terms

## Book Descriptions:

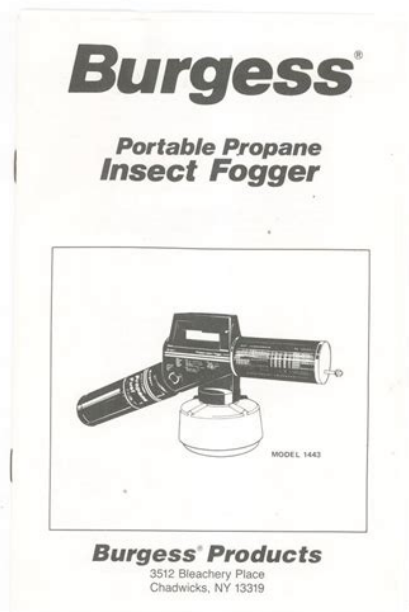
# Burgess propane fogger manual



Treats an average 5,000 square foot yard in less than 10 minutes. Everyone can enter the treated area as soon as the fog disperses typically less than 5 minutes. Propane powered making the fogger completely portable. Compatible with a 14.1 oz. tall style sold separately. For outdoor use only. Do not use indoors or in enclosed spaces. Visit [www.mosquitofogger.org](http://www.mosquitofogger.org) for more information.

WARNING This product produces and can expose you to chemicals including Carbon Monoxide and Soot, which are known to the state of California to cause cancer and birth defects or other reproductive harm. For more information go to [www.P65Warnings.ca.gov](http://www.P65Warnings.ca.gov) This will do the trick! Pump any remaining fluid out of the pump. Lock trigger and spray all fluid out of shutoff until all fluid and air pressure has been expelled. About us Contact us Privacy Policy Propane Thermal Foggers Operating Instructions By Kristiana Kripena Last updated on May 13, 2020 Do you have a propane thermal fogger. Do you want to use it safely. Here is an operating guide with all of the instructions you'll need to use your fogger, from preparation to storage and everything in between. You should, of course, read the manual that came with the fogger to see if the manufacturer has any additional special requirements or tips. Preparing the Fogger 1. Lock the fogging trigger. Check if your propane mosquito fogger has a trigger lock button. This button locks the fogging trigger so you don't accidentally press the trigger while setting up the fogger. This lock button offers additional safety because releasing fog unintentionally can be dangerous for the person operating a fogger. That's why you should lock the trigger before setting up your mosquito fogger. 2. Fill the container with insecticide. The next step before fogging is to fill the container with an insecticide. To do this, unscrew the plastic or metal vessel that is generally located under the body of the fogger. This tank should come off easily. <http://pretaporter-pegah.com/userfiles/dell-1800fp-service-manual.xml>

- **burgess propane fogger manual, burgess insect fogger manual, burgess propane insect fogger manual, burgess insect fogger troubleshooting, burgess 1443 propane insect fogger manual, burgess propane fogger manual, burgess propane fogger manual, burgess propane fogger manual, burgess propane insect fogger manual, burgess propane fogger instruction manual.**

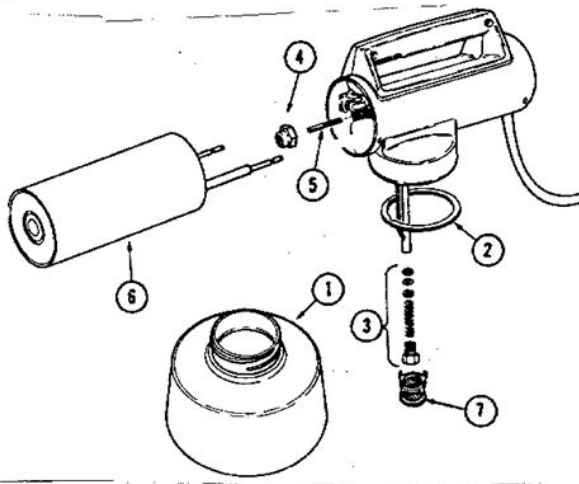


Only use the insecticide or other fogging liquids recommended by the fogger's manufacturer. Insecticides may contain different chemicals. So, some liquids may be denser than others, which can damage parts of the fogger while in operation. Don't overfill the container and make sure that you fill it with enough liquid for the fogger to be able to operate. The pump tube of some insect foggers may not reach to the bottom of the container. That's why it's important to make sure that there is enough liquid in the tank for the fogger to be able to pump it into the heating coil. When you have filled the tank with an insecticide, screw it back on the fogger and tighten since you don't want it to come off during the fogging process. Don't over tighten the tank, though, as this could damage the thread of the tank. This is especially true for plastic tanks. 3. Close the fuel valve and insert the propane cylinder. The last thing to do in the preparation phase is to insert the propane cylinder. Before this, it's important to make sure that the fuel valve is closed. The fuel valve on a propane fogger is usually located on the side, closer to the back of the fogger. For most propane foggers, you have to turn the valve clockwise to close it. Make sure it's properly closed before inserting the propane tank. The next thing to do is to check if there is any dust or other debris stuck to the propane tank or on the back of the fogger where the propane cylinder goes. If there is any debris, clean both units before inserting the propane cylinder. Lighting the Fogger 1. Make sure there are no flammable materials around. Place the fogger on a flat surface. Make sure there aren't any flammable materials near the fogger before ignition. 2. Make sure the fogging trigger is locked. If your fogger has a trigger lock button, make sure that it has locked the trigger before lighting. 3. Open the fuel valve. <http://severstroysnab.ru/userfiles/dell-1800mp-dlp-projector-manual.xml>



Slightly turn the fuel valve counterclockwise to begin the flow of gas from the propane cylinder to the fogger's coil. The gas flow should be minimal, but you still need to hear the gas flowing from the cylinder. 4. Ignite the burner. The method of igniting the burner will depend on the model of propane fogger you have. Press the ignite button, if your propane fogger has one. If your fogger doesn't have an ignite button, light a match or a lighter and place the flame under the coil of the fogger. After multiple tries, if the igniter doesn't light the heater coil, close the fuel valve and wait for two minutes. Then open the fuel valve and try to ignite it again. If the burner still won't light, open the fuel valve a bit more since the gas flow might not be strong enough. If the burner coil still doesn't light up, check if the gas cylinder is properly attached to the fogger. You should also check if the cylinder is empty and replace the cylinder if need be. 5. Allow the fogger to heat for a couple of minutes. This step is very important. You must do this with all propane foggers. Allow the fogger to heat up for two minutes before starting to fog. If you fail to do so, the fogger may spit out unwanted flames or become damaged. Operating the Fogger 1. Release the trigger lock. Before starting to fog, you'll need to release the trigger lock by pressing the button on your fogger. 2. Pump the trigger to start fogging. After the burner has heated up for about two minutes, you can start fogging. Press the fogging trigger every four seconds. This will pump insecticide into the coil, heat it up, and turn it into a fog, which will then spray out through the nozzle. Common Fogger Problems You might face some problems in the fogging process. Here are some common problems and their solutions. A flame has appeared in the nozzle. If an unwanted flame appears from the nozzle, stop fogging immediately. Place the fogger on a flat surface and turn off the fuel valve.

Let the fogger cool down for 10 minutes before lighting it again, following the steps listed above. Liquid has started to drip from the nozzle. If you notice that insecticide is dripping from the nozzle, this means that you are fogging in too short of intervals. You either need to wait for a couple more seconds before the next trigger pump or let the burner heat up for a bit longer. The fogger is producing a fog that is yellow or brown. If the fog produced by the fogger is in yellow or brown in color, your fogger has overheated. In this case, you'll need to fog in shorter intervals until the fog returns to white. Remember not to fog in too short of intervals, though, as the insecticide could start dripping from the nozzle of the fogger. Turning the Fogger Off 1. Lock the fogging trigger. First, you should disable the fogging trigger by pushing the trigger lock button. 2. Wait until all the insecticide has been fogged out. You'll have to wait about two minutes for all of the insecticide to leave the coil as fog. During this time, you'll see fog coming out of the nozzle of the fogger. After a few minutes, all the insecticide will have been used up and you won't see any more fog. 3. Turn off the gas supply. Turn off the gas supply by turning the fuel valve. You generally have to do this by turning it clockwise. With the fuel valve closed, the fogger burner will burn for a few minutes longer, so you'll still see a little flame around the coil. 4. Leave the fogger alone to cool down. Before doing anything else with the fogger, allow it to cool down completely. Storing the Fogger 1. Remove the container and the propane cylinder. Remove the insecticide container and the propane cylinder from the fogger. 2. Empty the insecticide container completely. Don't store the insecticide container with any insecticide inside of it. Empty the insecticide container after each use. Then clean the container and the fogger to remove any dust and debris.



<https://labroclub.ru/blog/02-pontiac-bonneville-owner-s-manual>

Storing the container with any amount of insecticide inside may damage the container and the fogger. Store the fogger, insecticide container, and the fogger itself in a dry, cool, and wellventilated area. 8 Comments Thomas Shoff August 28, 2018 Reply I own the 1443 model. It is more than 10 years old. The fogger heats and dispenses a very thin stream of Black flag insecticide. The functions seem to be working but it won't send forth clouds of smoke as before. Have any thoughts Thank you. Karen August 28, 2018 The first thing that comes to mind based on what you wrote in your comment is that a part of the fogger might be clogged up and therefore isn't allowing the fog to be dispensed. The nozzle, the end of the coil and the pump piston all can easily get clogged, so clean them and see if that doesn't solve things. Mike September 18, 2018 Reply My Black Flag fogger does not light. New tank and trying to light with a lighter doesn't work. Karen September 20, 2018 There might be a few reasons for your fogger not to light even with a lighter. Make sure the fuel valve is intact and open. As well as ensure that the propane tank is attached correctly and is full. If the fogger still doesn't light, the problem might be that you have a propane leak and it is dissipating before it can get to the burner. Or that the burner or the gas tubes are clogged. Roberto Juarez June 2, 2019 Reply Using Cutter brand mosquito fogger insecticide with Burguss fogger what other nussient bugs and insects will this affect. Thanks Karen June 3, 2019 The Cutter fogging insecticide is meant for combating mosquitoes and biting flies. Tracy June 20, 2019 Reply The ignite button on my backyard fogger is no longer working. Can I use a lighter to light it. Insectcop July 4, 2019 Yes, you can try the lighter. A long nozzle BBQ lighter would be preferred for safety reasons. What Do Scorpions Eat.

<http://foggerindo.com/images/boss-ce-3-service-manual.pdf>



InsectCop Reviews Para'Kito Mosquito Repellent Wristbands We research and test to help you control insects and pests. Their three main concerns are craftsmanship, innovation and commitment, therefore in their designs they try to incorporate all these things, aiming for the best products that customer can buy. They have 125 years of experience in creating superior liquid applicator solutions, while staying true to their family oriented company mentality and U.S. based production values, and this Burgess fogger is one of their best products. Burgess 1443 Review Foggers by themselves are one of the best way to get rid of mosquitoes, but this Burgess insect fogger in particular is efficient and long lasting solution for your insect problem with affordable price and great craftsmanship quality. Mosquito foggers are one of the most effective mosquito control methods that will help to reduce the population of mosquitoes and other flying insects, making the outdoors time much more pleasant and also highly reducing a chance of getting one of mosquito-borne diseases such as the Zika virus. The fogger must be ignited up manually, by using a lighter. While there are other foggers on the market with built in igniter, lack of this feature should not be regarded as a significant drawback. After the Burgess mosquito fogger has been ignited and has warmed up for a couple of minutes, it will start producing fog that will reach 10 feet of height. This thick fog, created by the Burgess propane fogger, will be able to penetrate all bushes, tree foliage and grass as well as get into any cracks and corners your designated area might have to eliminate all mosquitoes and other flying insects. Afterwards, within 510 minutes the fog will settle and you can enjoy your outdoors space without mosquitoes for 6 and more hours, depending on the area, weather conditions and type of insects present at the area.

<http://foot-five.com/images/boss-ce-3-user-manual.pdf>



But for even more long lasting effect you can repeat the process of fogging and that will give you not only hours of mosquito free time but days without mosquitoes. Burgess 1443 is a thermal fogger powered with propane gas which means that you will need to purchase a separate propane cylinder to use the tool. 14.1 oz standard propane cylinders will fit into the fogger. Because this is a propane fogger, it is also portable, there aren't any electric cables that would limit the usage of the fogger, so once you have filled up the reservoir with a proper insecticides solution and installed a propane cylinder, you can use the tool practically anywhere outdoors as this is a thermal fogger it mustn't be used indoors because of the safety concerns. The liquid tank of this fogger can hold up to 40 ounces of insecticide and will allow you to fog for about 2 and a half hours straight, and only afterwards you will need to refill the liquid container of your Burgess mosquito fogger. The trigger lock of the device will ensure safety for you and those around you, because it won't allow any accidental dispersing of the insecticide. Where to use the Burgess fogger This mosquito fogger has wide variety of outdoors applications. With the burgess 1443 insect fogger you can fog your backyard, garden or children's playground, as well as take it on camping trips and park barbecues, thanks to the fact that it is a propane powered fogger. Now you will be able to enjoy time outdoors without being bothered by mosquitoes. However, repeat the fogging to achieve not only hours but also days of mosquito free time. Perfect for backyards, gardens, parks and other outdoor areas. Usage tips from InsectCop Like with any type of fogger, the first thing to do is to read the usage manual of the product, because it operates at high temperatures and uses chemicals that may be dangerous to human health if not used properly. Wear a respirator while fogging and make sure the wind is blowing from the back.

For the best results, fog in windless or close to windless conditions. Use manufacturer recommended fogging solutions, such as the Black Flag insecticide. The fogger needs a warm up period of 12 minutes to properly heat up and be able to vaporize the fogging solution. When you start to see a small amount of constant fog coming from the nozzle, the fogger is ready to use. While fogging, make sure to press the trigger with 45 second intervals between, so the solution gets enough time to vaporize. After fogging, pour any leftover solution out of the container before storing the tool, because chemicals used in fogging solutions could damage the fogger if left inside the container for longer time. Only use the fogger outdoors. The Burgess 1443 40ounce outdoor propane insect fogger will emit powerful insecticide laced fog killing all mosquitoes upon contact and repelling them for multiple hours. Say, would it work with Naprovit Pro Plus or something related. Thank you! mg Karen June 6, 2016 Hi Mauricio, You could technically use it with other solutions, however, I would definitely recommend sticking with the manufacturer recommended one, especially if you want to use a waterbased insecticide. If you want to spray a natural product such as Naprovit Pro Plus, I recommend getting an ULV fogging device that will work with practically any waterbased solution. Karen. Jeremy August 16, 2017 Reply What is the operating temperature of this unit. I'm interested in using it to vaporize oxalic acid which is first dissolved in grain alcohol for treating varoa mites in bee hives. Karen August 19, 2017 Unfortunately, I don't know the exact operating temperature of the Burgess 1443 mosquito fogger. Randall Hanks May 16, 2019 Reply The seam across the bottom of the tank has come apart. I have. Only had it about 2 years. Can you tell me where I can order or get another tank. Karen May 27, 2019 Get in touch with the manufacturer of the Burgess fogger, The Fountainhead Group.

<http://bizwd.com/wp-content/plugins/formcraft/file-upload/server/content/files/1626c652960539---93-nissan-pathfinder-owners-manual.pdf>

They might be able to help you. Russ June 4, 2020 Randall, realize this is old but may help others, regular mouth mason jars work and solves the problem of the gigantic tank, I have a nice small one and when I'm done I put an empty jar on the fogger and the cap on the jar of liquid. Doris Krankel June 18, 2019 Reply I am trying to find a replacement pump for the burgess 1443. Please let me know where i can find one. Kristiana Kripena June 26, 2019 Try contacting the manufacturer of

Burgess foggers. They might be able to help you with this. Mark Schaefer June 29, 2019 Reply This thing is so hard to ignite and then when it is ignited gets warmed up it starts blowing a flame out of the tube that comes out of the front grill what am I doing wrong Insectcop July 3, 2019 When using this product, it is crucial to always preheat it for a couple of minutes first keep the product on the ground level. It sounds like you might have skipped on this part. However, if you have done everything according to label, yet it still keeps happening, it might be damaged. In this case, you might want to contact the seller who sold you the product. Greg Stoll July 27, 2019 Reply My tank for the propane fogger cracked will not hold solution do you know where I could get a replacement one have had my fogger for many years and love it still want to use it InsectCop August 27, 2019 You should either contact the manufacturer of Burgess foggers or the seller. Garry Binz February 24, 2020 will a fruit jar work InsectCop March 4, 2020 We suggest looking for proper parts, issued by the manufacturer. Using any other items might affect the results or cause damage, therefore we wouldn't suggest it. Looking for something that's right in your budget and offers a really awesome fogging experience without any hiccups. Look no further than Burgess 1443 Propane Insect Fogger.

[BANGTUTRANG.COM/upload/files/cannon-wall-safe-manual.pdf](http://BANGTUTRANG.COM/upload/files/cannon-wall-safe-manual.pdf)

Heres why I love it Until then, these bloodsucking creatures continue to reign at the top of the dengue fever, malaria, and yellow fever death chain. So, I spent 12 hours of indepth research just to narrow the list from several machines into the top 5 best propane mosquito fogger to get. To view the best propane mosuito traps, check it out here. Propane Mosquito Fogger Comparison Table Updated for August 2020 NOTE If youre on mobile, this table can be scrolled. Just swipe left to see the remainder of the table. When the Burgess 1443 was released, they knew they have created a winner in its own right. There's no secret to a fogger's success, it all goes down to its ability to reduce the size of insecticides into dust. To be more specific, I'm talking about getting their size down into small particles. If you're wondering what I mean, I'm referring to at least seven times finer than mist. Yeah, I know that this may sound new to you. However, this gives any machine a running edge once it has been followed through by the manufacturing company. Let me share a bit of nerdtalk with you. As you can see, the smaller the particle the faster it is to spread and float around. As a matter of fact, it goes deep into areas that are properly landscaped. Of course, it hits insect havens as well. So, what's the effect. It kills on contact. Expect an awesome mosquitofree zone for a number hours. To be exact, it keeps you away from these wannabe vampires for six hours straight. There are a couple of points I've seen Burgess 1443 can do. In a nutshell, it's insanely fast and easy to operate. Assuming you have a 5,00 square foot yard, this beast of a fogger can take care of it in less than ten minutes. Burgess handle fog shrubs, ground covers, and even dense foliage pretty well. Here's a major tip when you're dealing with fog at dusk. This is before the mosquitoes stop playing hide and seek.

If it makes you feel any better, Burgess 1443 actually utilizes the exact same system that pros are using to exterminate mosquitoes that may have West Nile virus. Another great thing about is it's portable and convenient. Take it as your own personal mosquitokilling machine that you can bring anywhere. Don't worry, it can go fogging for two hours and thirty minutes straight. So, this is pretty reliable in that aspect alone. Pros Delivers an easy experience for all type of users Covers 5,000 square foot in just a matter of minutes Easy to bring around due to its compact feature Safe to enter once fog has dispersed only five minutes! Cons Doesnt work well in windy situations For one, Hudson has made a name for itself thru their consistency in the sprayer business. As a matter of fact, its been known throughout the globe as it continues to stand tall even after over a century. Right now, the pros refer H.D Hudson Manufacturing as the World Standard of Value in the industry. There are a lot of points I'd like to discuss thoroughly for Hudson 62691. I'd definitely tell you to buy this if you're looking for a solution for your flying mosquitoes concerns, the company has definitely has proven their credibility time and time again. Oh, I also like how the guys at Hudson



made this with safety in mind. Not a huge fan of using matches, so its Piezo ignition switch saves the hassle of having to manually do it let's face it, doing extra work sucks. Don't get me wrong, this isn't near perfect. During the assembly, I encountered a number of problems along the way. From time to time, the trigger gets stuck in the handling process. When this happens, the machine becomes difficult to use. It needs a few tweaks here and there to get it at the right tempo. However, once the initial setup is over, it's all smooth sailing from there.

All of this is available on their website, but I linked them here too for convenience Their belief led to their creation FOG Rx it's the company's own line of thermal foggers. This is an ideal choice if you're looking for a fogger solely for outdoors, like your yard of mosquitoes for example. Apparently, they have put emphasis on the material, enough to be commended for its durable nylon feature. But what got me interested is its translucent bowl. Honestly, I've used A LOT of propane mosquito foggers and ULV and thermal foggers too in my lifetime, and it always pissed me off how I'm unable to see if there's any unused insecticide. Well, this is one thing off my worries. Bonide also has this neat easy trigger action that takes off the burden. It's designed to dispense microscopic particles that immediately disappears into thin air. You know what that means, right. Yeah, you don't have to stress out with the residue. On your first try, you can see how it shows off a dense fog that goes into cracks, crevices, and other hiding spots for insects. At the end of the day, it leaves a safe, pest free haven for your fam. Taking you to a ride to the future, the selfstarting ignitor is another example of innovation taking its course. Generally speaking, it lights the heater coil, giving the necessary heat needed for the fog. Just to give you an example, it can be the bonide mosquito beater flying insect fog. Since we're all about the idea of portability and transportation, you're going to like how lightweight it feels at only 2.7 pounds. In addition, this can easily take on mosquitoes, flies, moths, and other pesky insects. Personally, I'd use this to keep landscapes from invading insects. Just a head's up, if you want to maximize its effect, you can always use it with Bonide Mosquito Beate. Also, you don't have to worry about the people, pets, and plants in the area it quickly dissipates!

Pros Produces dense fog for wellhidden insects Effective for a variety of species Translucent bowl for an easy access Made of durable nylon material for longevity Cons Deters insect but is unable to kill them on the dot Needs constant pumping for the fog to be effective It gets rid of mosquitoes while repelling other flying insects, it's effective up to six solid hours. For someone who has been chilling with pesky mosquitoes for a long time, I like how this cuts the waiting period short. You can go back doing your business in your yard after five minutes. As a bonus, there's no offensive odor that lingers to boot, which is quite a relief. As the peeps at Black Flag really wanted to center the product around the idea of portability, they've created this to be propane powered. You can use a 14.1 oz or 16.4 oz canister depending on your preference. And yes, it doesn't need electricity to work. While it isn't meant for covering a large area, it does a good job with handling half an acre with only 1 quart. Also, it's completely handsfree. Upon purchase, it's all set to go no need for mixing like other brands. So, when you notice that the fog that's coming out is a bit too thin and yellowish than usual, it means the temperature is hot. Cool down the frogger accordingly. Conversely, if you notice that the fog is wet, then you should decrease the pumping rate in order to achieve the optimal temperature. In any case, once you've hit the perfect temperature, you should be getting perfect results each time. I'll give you a walkthrough, just maintain the breeze at your back, and make sure that it's at least five feet away from where you are at a fogger level. But before anything else, take note that its effectiveness is greatly dependent on the temperature.

Pros Protects against insects and mosquitoes for 6 hours Easy to carry Comes with a neat spark starter for convenience Cons Thank really needs to be bigger Heating coils burner is a bit too small But this time around, we're downscaling it for a bit. Longray Carryall is definitely a cheap alternative. However, if you really want to get low with the price tag, then try to take a glance at Burgess 960. While it may not be the cheapest on the list, it's definitely one of the most economical

products in the fogger market that can put up a fight when it comes to quality. Just like with any product that comes from Burgess, it offers seven times finer than mist. It's guaranteed to hit hidden areas where insects and mosquitoes could be hiding. Its reservoir isn't really impressive as it only stands at 40 oz. From time to time, there are accidents like dispensing insecticide while working. By the way, this only works for outdoor residences. Check out more great electric mosquito foggers here. Pros Cheap and economical price Seven times finer than mist Trigger lock for your safety Cons Reservoir is only at 40 oz. Need to remove reservoir after every use Takes a couple of minutes to warm up Here's a no-brainer explanation, it's known as a chemical sprayer that's often used by people who want to exterminate mosquitoes in their area. The downside is that it doesn't completely eliminate the problem you can expect the little suckers back in a couple of hours. Let me school you a bit about the types of bug foggers. Don't worry, there are only 2 types. Starting with the first one is a cold fogger that uses electricity. This won't just do if you're away from an outlet, better keep it plugged in. Only recommended for small places such as your porch. On the other hand, we have a thermal fogger that feeds on a heating coil that heats the liquid and turns it into smoke. Right now, it's a popular choice all across the globe as it eliminated mosquitoes from the entire yard.

Yup, even in enclosed spaces. Just point it directly to have the best results. Is A Propane Mosquito Fogger Spray Effective. In my book, mosquito fogger works like a charm. However, it isn't the best solution for your long-term problems. In any case, it does have an immediate effect, which always helps. In just a matter of minutes, you can clearly see the numbers of dead mosquitoes bodies dropping. If you're familiar with using a propane trap, then this is a different story as it doesn't copy human breath and heat. How Often Should You Use a Propane Mosquito Fogger. It really depends on your mosquito situation and location. But most people use their foggers during the evening or early morning on a daily basis. As you can see, there's a perfect time to fog well, you would want to take on a time where mosquitoes are most active and abundant. Generally speaking, you won't be seeing a lot of mosquitoes during the day where there's sunlight. They would always prefer to go to shady areas to use as their own personal HQ when the sun is out. Doing it smart and fogging it every evening or early morning, you're actually getting more value for your money. The reason is mainly that of the lower temperature that makes the fog stay on the ground. At the same time, the effects stay longer than other time periods. In addition, the moment that the wind has already cooled off, it's the perfect time to take advantage of the fogging session. Don't worry, you won't be hurting any good insects, such as bees and butterflies. They usually go back into their homes late in the afternoon. Moreover, frequently doing your fogging session every evening won't hurt them. For one, it only focuses on killing mosquitoes and other insects that may ruin your yard. How To Use A Propane Mosquito Fogger Here's a short clip on how to use your propane mosquito fogger. Although the video tutorial is for Black Flag specifically, other brands or models work roughly in the same way.

<http://eco-region31.ru/02-pontiac-bonneville-owner-s-manual>